

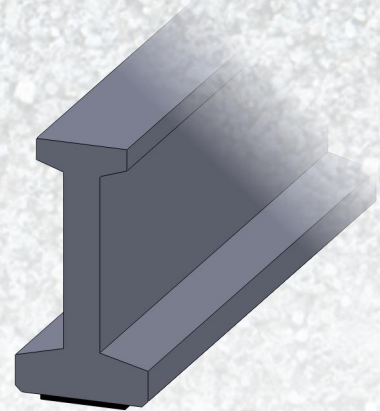
# NEWLON

**NEWLON Bearing Pads are made of 100% virgin chloroprene. They can be utilized between structural components in highway bridges, railroad bridges, and in all types of concrete and/or steel structures as an efficient and economical method for accomodating shock, vibration, rotation, and shear casued by load deflection and themal movement.**



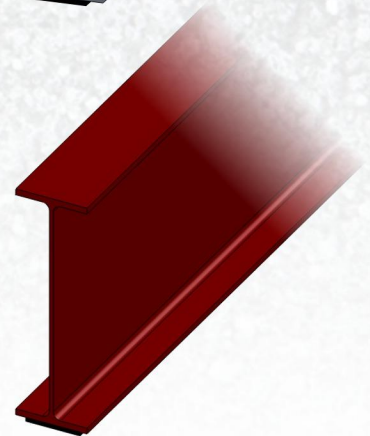
## Advantages

- Meets current AASHTO highway specifications, Grade 3
- Available in 50, 60 or 70 Shore "A" Durometer hardness
- Available in all available durometers in the following stock thicknesses: 1/8", 1/4", 1/2", 3/4", 1". Additional thicknesses available upon request.



## Product Secifications

Properties	ASTM Test Method	
Tensile Strength (MIN)	D-412	2,250 PSI
Ultimate Elongation (MIN)	D-412	300%-400%
Heat Resistance	D-573	
Change in Hardness – Max Pts.		+15
Change in Tensile – Max %		-15
Compressive Set – Max %	D-395	35
Ozone Resistance	D-1149	No Cracks



# BEARING PADS



**Your Connection Connection**

7131 North Ridgeway Avenue • Lincolnwood, IL 60712 USA  
847/675-1560 • Fax 847/675-0083 • 1-800-742-8127 • <http://www.jvi-inc.com>





7131 North Ridgeway Avenue  
Lincolnwood, Illinois 60712  
847-675-1560  
1-800-742-8127  
[www.jvi-inc.com](http://www.jvi-inc.com)

## Safety Data Sheet –NEWLON & CAPRALON Elastomer Only

### SECTION 1: IDENTIFICATION

Product Names: Newlon & Capralon Elastomer Only  
Chemical Name / Synonym: Duraking, Flexking, and Techflex Cured Belts; All sheet rubber Products both Supported and Unsupported  
Chemical Family: Multiple SBR, Nitrile, EPDM, Neoprene, Butyl, and Natrual Rubber  
Emergency Phone: (847) 675-1560  
Distributor Name: JVI, Inc  
Distributor Address: 7131 North Ridgeway Ave, Lincolnwood,  
Distributor Phone: (847) 675-1560

### SECTION 2: HAZARD(S) IDENTIFICATION

NFPA Hazard Rating: Health 0, Flammability 1, Reactivity 0  
HMIS Hazard Rating: Health 0, Flammability 1, Reactivity 0

### SECTION 3: COMPOSITION/INFORMATION ON INGREDIENTS

Chemical Name:	Common Name:	CAS #:	% (by wt)	Exposure Limits:
Nonhazardous as per 29 CFR 1910.1200.	None	None	100	None Established

### SECTION 4: FIRST AID MEASURES

First Aid Procedures: No special action necessary.

### SECTION 5: FIRE-FIGHTING MEASURES

Suitable Extinguishing Media: Carbon dioxide, foam, sand/earth, or dry chemicals.  
Hazardous Combustion Products: Carbon dioxide and carbon monoxide, oxides of nitrogen, sulfur dioxide, and partially burned carbon.  
Recommended Fire Fighting Procedures: Wear impermeable protective clothing and self-contained breathing apparatus. Toxic fumes and vapors may be evolved.  
Unusual Fire and Explosion Hazards: Oil 'bleeds' from material when burning.

### SECTION 6: ACCIDENTAL RELEASE MEASURES

Steps to Be Taken in Case Material is Released or Spilled: Not Applicable



7131 North Ridgeway Avenue  
Lincolnwood, Illinois 60712  
847-675-1560  
1-800-742-8127  
[www.jvi-inc.com](http://www.jvi-inc.com)

---

### SECTION 7: HANDLING AND STORAGE

---

Precautions to Be Taken in Handling and Storing:

Keep away from heat, sparks, and open flames. Store in a dry area. Storage area should be well ventilated.

---

### SECTION 8: EXPOSURE CONTROLS / PERSONAL PROTECTION

---

Ventilation:	Store and use in well ventilated areas.
Respiratory Protection:	Nonerecommended.
Eye Protection:	Nonerecommended.
Skin Protection:	Nonerecommended.
Other:	None.
Work / Hygienic Practices:	Wash exposed skin prior to eating, drinking or smoking and at the end of each shift. Wash contaminated clothing prior to reuse.

---

### SECTION 9: PHYSICAL AND CHEMICAL PROPERTIES

---

Appearance and Odor:	Multiple colors with slight rubber odor.		
Flash Point:	Not Applicable	Lower Explosive Limit:	None
Method Used:	Not Applicable	Upper Explosive Limit:	None
Evaporation Rate:	Not Applicable	Boiling Point:	None
pH (undiluted product):	Not Applicable	Melting Point:	Unknown
Solubility in Water:	Insoluble	Specific Gravity:	Varies
Vapor Density:	Not Applicable	Percent Volatile:	Unknown
Vapor Pressure:	Not Applicable		

---

### SECTION 10: STABILITY AND REACTIVITY

---

Thermal Stability:	Stable
Hazardous Polymerization:	Will not occur
Conditions to Avoid:	Heat, sparks, and open flames.

---

### SECTION 11: TOXICOLOGICAL INFORMATION

---

Signs and Symptoms of Exposure:	No known adverse effects.
Medical Conditions Aggravated by Exposure:	Sensitive individuals may exhibit eye, nose, throat or dermal irritation with prolonged exposure to processing fumes or vapors.
Chronic Effects:	No known adverse effects.
Carcinogenicity:	None

---



7131 North Ridgeway Avenue  
Lincolnwood, Illinois 60712  
847-675-1560  
1-800-742-8127  
[www.jvi-inc.com](http://www.jvi-inc.com)

---

#### SECTION 16: OTHER INFORMATION

---

Additional Comments:	This product is considered to be a finished article as per 29 CFR 1910.1200 (C) and is, therefore, exempt from the requirements of the Hazard Communication standard.
Date of Previous MSDS:	February 1, 2013
Changes Since Previous MSDS:	N/A
Telephone Number for Additional Information:	(847) 675-1560

---

#### DISCLAIMER

---

The information contained herein is based on data considered accurate which has been obtained from other companies and organizations. However, no warranty or representation is expressed or implied that the information, is accurate, complete or representative. JVI, Inc assumes no responsibility for injury to the buyer, the buyer's employees, or any third persons, if reasonable safety procedures are not followed. Additionally, JVI, Inc assumes no responsibility for injury to buyer, the buyer's employees, or any third persons caused by abnormal use of this material, even if reasonable safety procedures are followed.